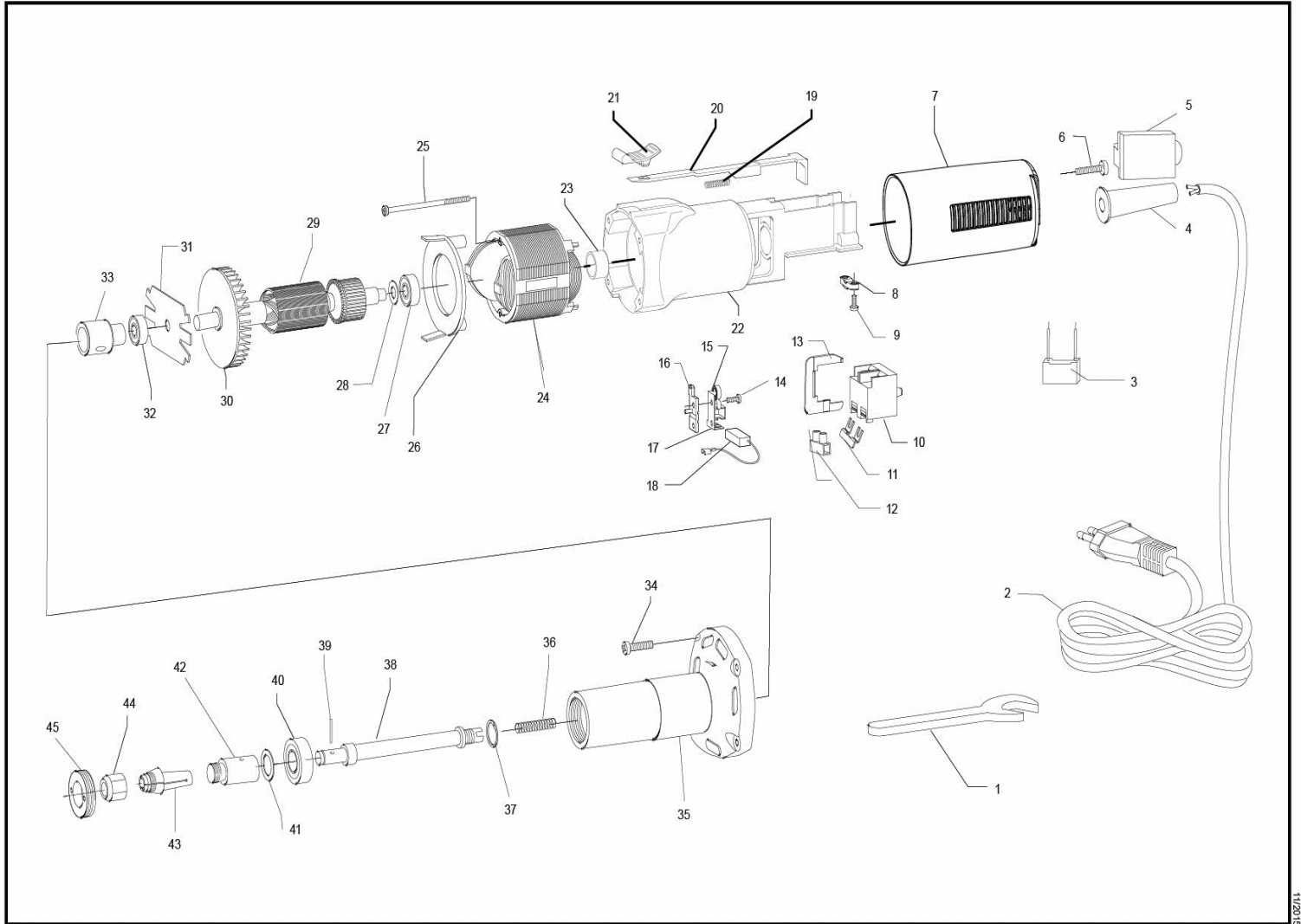


SMERIGLIATRICE DRITTA STRAIGHT GRINDER

AR38S - AR38ES - AR38D



ID	ITEM	DESCRIPTION
001	83.030	SPANNER mm11 + mm13
001	83.13	SPANNER mm 17
002	9C2X1,5V003FOR	CABLE 2X1,5 (without plug) mt.3,50 with fork
003	9.1531	CONDENSER
004	421.27	RUBBER HANDLE TR-BR B.T.
005	400.251	ELECTRONIC MODULE
006	9.660	SCREW 3,9x16 (7x5/8") T.C.C.
007	44.247	LHR12E BACK CAP
007	443.247	REAR CAP LOCK
007	44.247/C	CALOTTA POSTERIORE LHR12E con chiusura
008	442.55	CABLE CLAMP
009	9.660	SCREW 3,9x16 (7x5/8") T.C.C.
010	45.210	SWITCH
011	451.105	METAL PLATE FOR SWITCH L.T.
012	9.1583	CLAMP 4mm (12pcs)
013	382.247	SWITCH SEPARATOR
014	9.551	SCREW 2,9x13 (4x1/2") T.C.C.
015	461.105	SPRING BRUSH HOLDER BA21 BURNISHED
016	462.105	BRUSH HOLDER PLATE
017	46.105	BRUSH HOLDER BA215-LH18ENS
018	471.105/10	10 BRUSHES BLISTER BA215 LV
019	75.105	SPRING
020	38.247	BEAM SWITCH
021	381.247	RUBBER BUTTON ON/OFF
022	31.247	MOTOR BODY
023	268.105	BEARING CAP
024	2.105/042	STATOR (V.42)
024	2.105/048	STATOR (V.48)
024	2.105/072	STATOR (V.72)
024	2.105/080	STATOR (V.80)
024	2.105/110	STATOR (V.110)
025	9.570	SCREW 2,9x60 (4x2"3/8)T.C.C.
026	73.105	AIR BULKHEAD
027	9.14/10	BEARING 626ZZ
028	9.318	STEEL WASHER d15 x 6,1 s 0,15
029	1.105/042	ROTOR (V. 42)
029	1.105/072	ROTOR (V. 72)
029	1.105/110	ROTOR (V.110)
030	15.105	FAN 36 BLADES
031	351.105	MOTOR BODY LITTLE COVER
032	9.41/10	BEARING SKF 609 ZZ-C3
033	511.131	PULLING COMPASS AR37-AR38
034	9.679	SCREW 4,2x25 (8x1") T.C.C.
035	36.117	DINGHY
036	688.075	THRUST HOLDER SPRING
037	9.519	O-RING 2037 9x13x1,78
038	516.131	SPINDLE SHAFT WITH HOLE
039	9.479	ELASTIC PLUG 3x14 uni 6874-71
040	9.41/10	BEARING SKF 609 ZZ-C3
041	9.299	STEEL WASHER d18 x 9,1 s 0,15
042	515.131	COLLET HOLDER WITH HOLE
043	922.131	COLLET d 3
043	921.131	COLLET d 6
043	923.131	COLLET d 6,35
044	513.131	NUT
045	55.131	NUT

RUPES

R.U.P.E.S. spa
Realizzazione Utensili
Pneumatici Elettrici Speciali
sede operativa: via Marconi, 3A
20080 Vermezzo (MI) - Italy
tel.: ++39.02.946941
fax.: ++39.02.94941040
e-mail: info_rupes@rupes.it

web: www.rupes.com
cod.fisc. e part. IVA: IT 05094230157
cap.sociale: euro 2.100.000 int.vers.
REA: MI-1163819
Reg. Imprese n. 0509430157
sede legale: v.le Bianca Maria, 13 - Milano
REG. RAEE: IT08020000000741
REG. PILE: IT09060P00000205